

ESSENCE

SL50 HI² FLAT EDITION

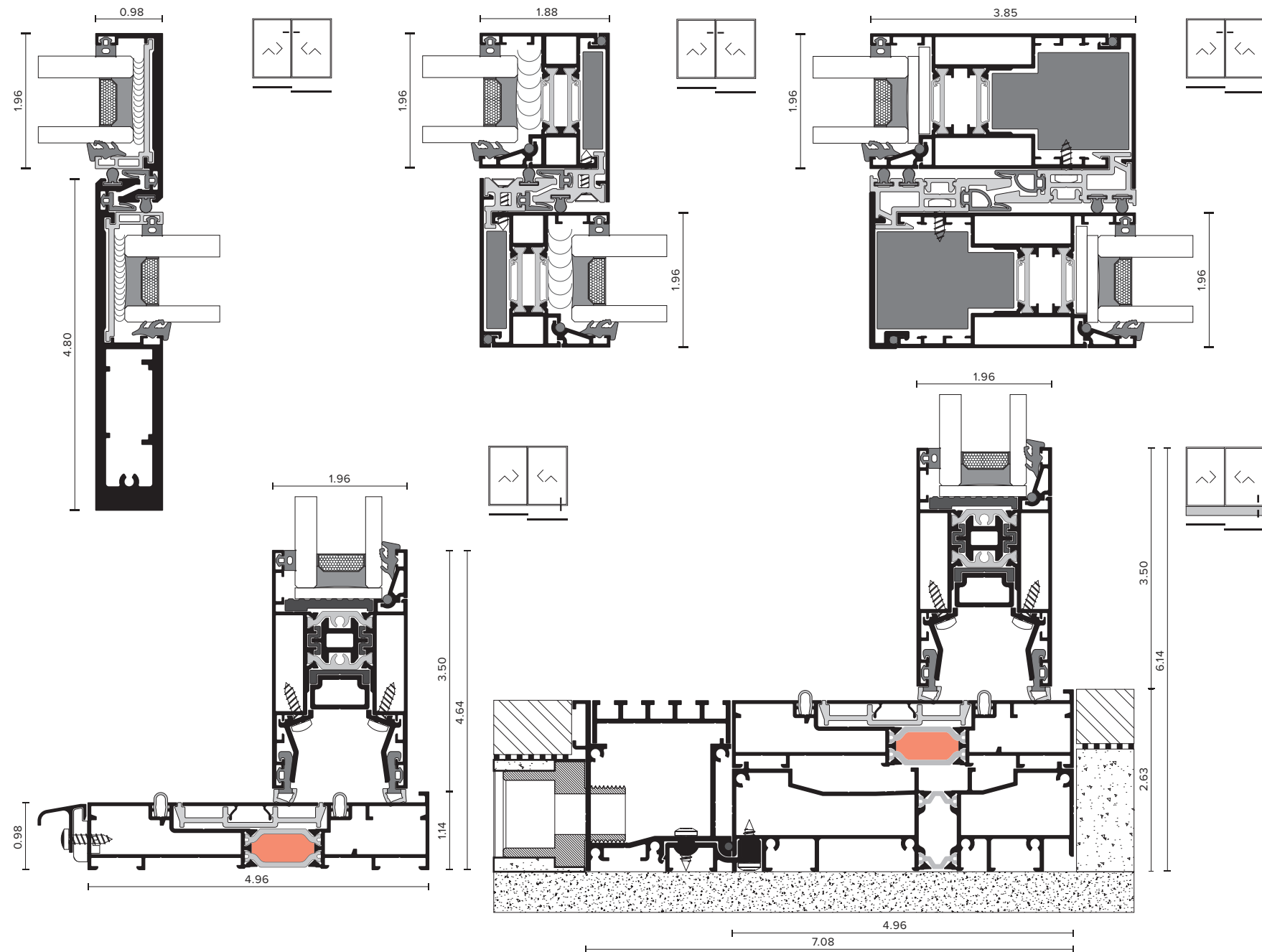


SLIDING SYSTEM

One more edition of aesthetic excellence and functional performance by ELVIAL does not come as a surprise. ESSENCE SL50 HI² FLAT EDITION with a 0.98 in external and 1.14 in internal track and a built-in alternative will perfectly frame the limit of a comfortable interior.

ESSENCE

SL50 HI² FLAT EDITION



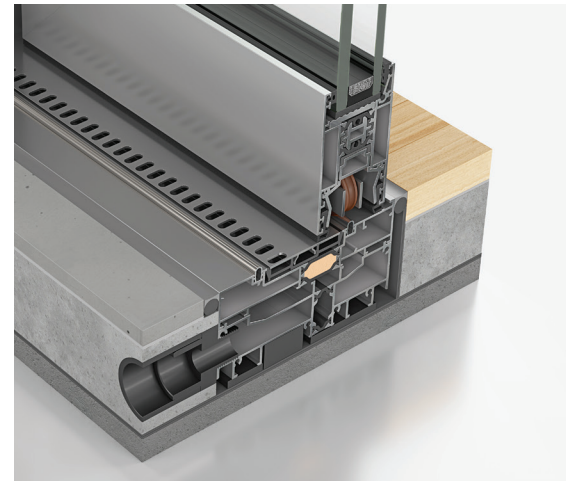
LIFT & SLIDE SUCCESSIVE CONSTRUCTIONS

	2-Sash		4-Sash meeting stile with fixed parts and flyscreen
	2-Sash with fixed part		6-Sash meeting stile with fixed parts
	2-Sash with flyscreen		2-Sash angular - Inner angle
	2-Sash with fixed part and flyscreen		2-Sash angular - Outer angle
	3-Sash		2-Sash angular with flyscreen - Inner angle
	3-Sash with fixed part		2-Sash angular with flyscreen - Outer angle
	4-Sash meeting stile		3-Sash angular - Inner angle
	4-Sash meeting stile with flyscreen		3-Sash angular - Outer angle

TECHNOLOGY

THERMAL INSULATION

- Insulation Bars** are set on all system's tracks
- Complete filling of the middle chamber on all system's tracks using the innovative insulation technology of **ELVIAL I²**
- A Foam Insulating Profile** (LDPE) is fitted at the perimeter of the glazing zone, minimizing thermal energy loss
- Co-extruded gasket** on the bottom part of sashes, sealing the adjoining profile for angular constructions



ADVANCED SEALING SYSTEM

- Q-LON** in the successive area insulating bars, even in the narrow mullion width edition
- Specially designed **gaskets** that apply effectively in 2 points in the successive area
- Specially designed gaskets** and vulcanized gasket corners, guaranteeing a high level perimetrical waterproofing of the sash with the track
- Elastometric **central sealants** of excellent design, which fit perfectly on the surface of the aluminium, giving a high sealing performance
- Ghost glazing gaskets** minimizes the visible facet and renders the gaskets practically invisible

EXTRA FEATURES

FUNCTIONALITY

- Handles for unique style
- Handle damper
- Lift assist that reduces the feel of weight
- Options of Silent Close Damping Unit & Stop Damping Unit
- Anti-Jemmy Device



COLORS

- Black
- Inox Satine
- Natural Anodized

IDENTITY

DESIGN

PROPERTIES

PERFORMANCE

ENERGY

COMFORT

Sash Depth			1.96	in
Visible Height			4.64	in
Middle Mullion Width Successive		[sash 3.46 in]	3.85	in
		[sash 1.69 in]	1.88	in
		[sash 0.98 in]	0.98	in
Meeting Stile Construction Width Meeting Stile			7.24	in
Max Sash Height			137.79	in
Max Sash Width			118.11	in
Max Sash Weight			881	lb
Max Glass Thickness		[mullion width 3.85 in & 1.88 in]	1.41	in
		[mullion width 0.98 in]	1.33	in

2-Sash successive construction 6.000 x 3.500 mm	Double glazing, U _g = 0.19 kN/m ² with Swisspacer Ultimate	U_w ≥ 0.25 kN/m²
Air Permeability	EN 12207	Class 4 [600Pa]
Watertightness	EN 12208	E900 [900Pa]
Resistance to Wind Load	EN 12210	B2 [800Pa]
Sound Reduction	EN 14351-1	44dB ^{Glazing} 1.74/0.59/2.60
Operating Forces	EN 13115	Class 1

SEE LIFE FROM A DIFFERENT
VIEW THROUGH ELVIAL'S
ALUMINUM SYSTEMS

DISCOVER OUR INNOVATIVE TECH

ELVIAL I² INSULATION TECHNOLOGY
ELVIAL PRE-ANODIZING 2IN1

DISCOVER MORE ARCHITECTURAL SYSTEMS

ICONIC W77 AI²
ICONIC W77BS AI²
ICONIC W77ST AI²

ESSENCE W67 HI²
ESSENCE W67BS HI²
ESSENCE W67ST HI²

ESSENCE SL60 HI²
ESSENCE SL60 HI² FLAT EDITION
ELVIAL SL60 HI² CLASSIC
ELVIAL SL50 HI² CLASSIC

MINIMAL LOOK SL68 AI²
MINIMAL LOOK SL52 HI²
MINIMAL LOOK SL52 HI
INVISIBLE INSIDE-OUT

ELVIAL SL46 SI² CLASSIC
ELVIAL SL46 SI² FLAT EDITION
ELVIAL SL46 SI²_MD

ESSENCE FD77

ICONIC D77 AI²
ESSENCE D67 HI²

ELVIAL FS50
ESSENCE SD55
ESSENCE CLADDING CL180